

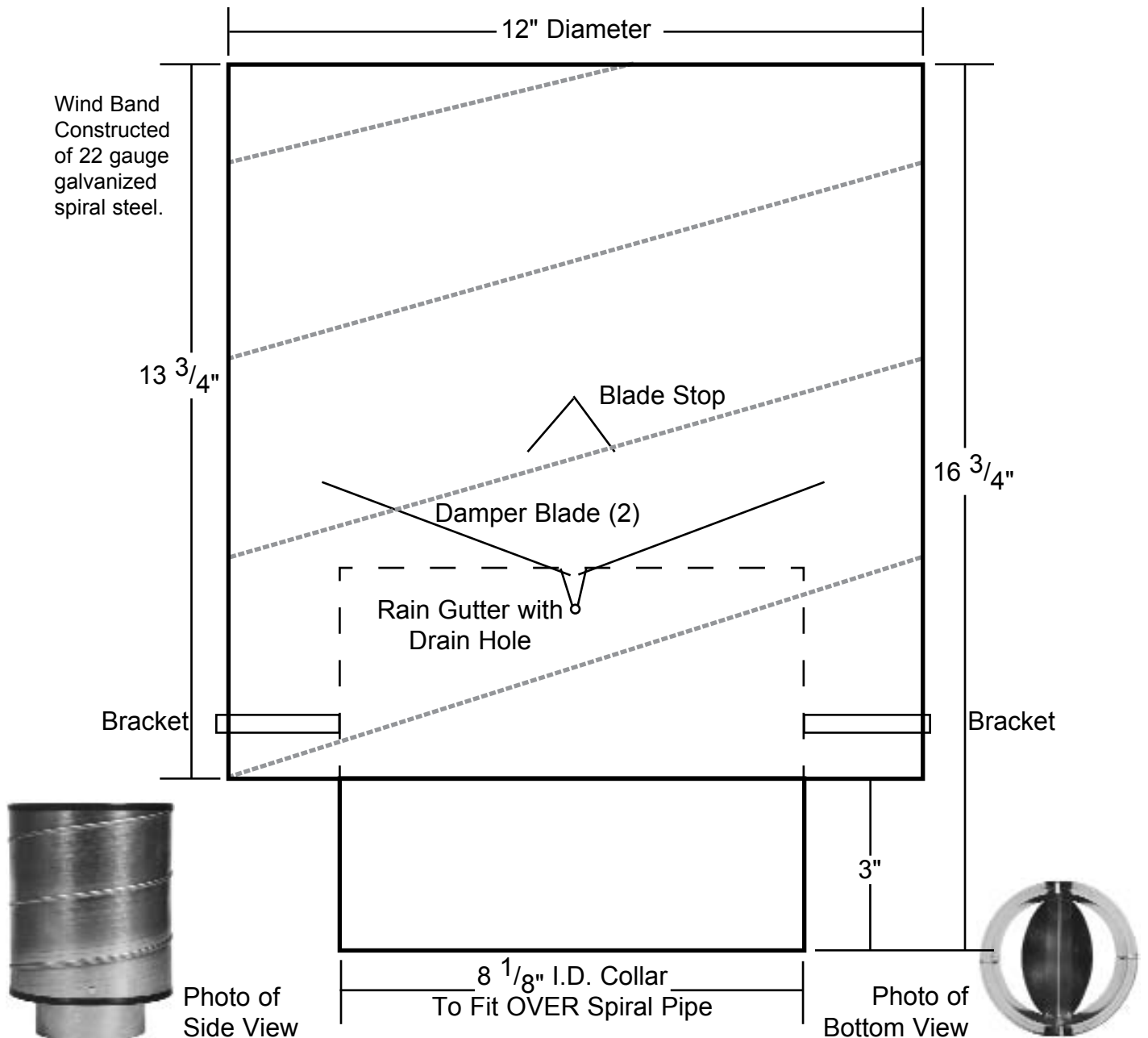


Up-Blast Stack Cap (UB08)

Example of specifications on Up-Blast Stack Cap

Part Number: UB08

Description: 8" Up-Blast Stack Cap Combination Non-Back Draft Damper





Up-Blast Stack Cap

Up-Blast Stack Cap combination non-back draft damper is applied at the terminating point of a vertical exhaust stack. The Cap has two damper blades that open automatically when the fan is turned on. When the fan is at operating speed, rain and snow are pushed away from the open duct. The damper blades remain on at slight angle when they are open. At the moment the fan is turned off, the blades drop and close off the open duct. This stops rain, snow or outside air from entering the duct system.

Most state and local municipalities "require" an Up-Blast Stack Cap as the terminating point of an exhaust duct that is directed to the atmosphere. It is also recommended to terminate the exhaust duct 6 feet above the roofline in a vertical fashion. This prevents the contaminant from being drawn into the heating or air conditioning units, open windows, make up air units and other open vents in the roof. For additional information, please refer to NFPA Code # 33-9 (section 5-11) and NFPA Code #91. The Code booklets can be obtained from the NFPA - National Fire Protection Agency, www.nfpa.org.



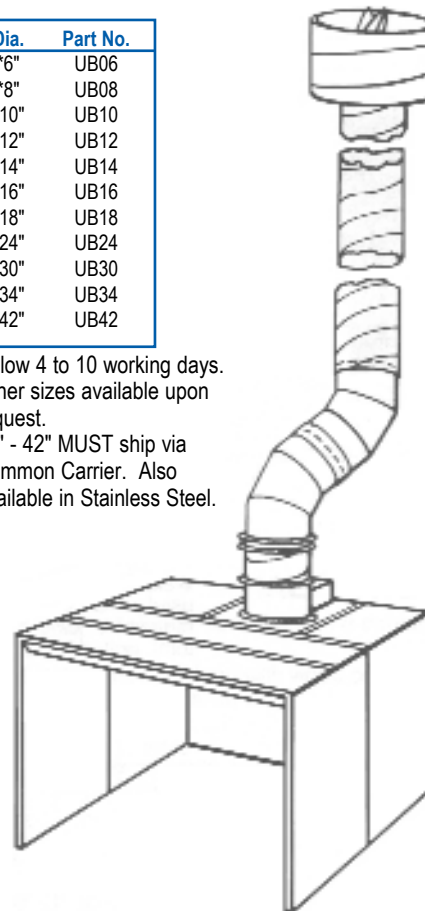
Side View
Collar sized to slip
OVER spiral pipe.



Bottom View, Looking Up.

Dia.	Part No.
*6"	UB06
*8"	UB08
*10"	UB10
*12"	UB12
*14"	UB14
*16"	UB16
*18"	UB18
*24"	UB24
*30"	UB30
*34"	UB34
*42"	UB42

*Allow 4 to 10 working days.
Other sizes available upon request.
24" - 42" MUST ship via Common Carrier. Also available in Stainless Steel.



Common uses for Up-Blast Stack Caps are spray booths (as shown) or drying ovens. Air Handling Systems ductwork can be used throughout the system, including spiral pipe, elbows, offsets, and transitions.